

(IMPORTANT...see reverse side for 220V Remote Control wiring)

Wiring Procedure for EASTBAY Motor

3/4hp, 1hp & 1.5hp

115VAC Operation with Reversing Switch

(Reversing through run windings)

- 1- Remove motor connection box cover.
- 2- Cut and strip wires on switch harness. Slightly bend wires on switch harness and position through connector opening.
- 3- Insert and crimp fork or eye type terminal on SWITCH GREEN and female spade type terminals on SWITCH RED, SWITCH BLACK, SWITCH WHITE & SWITCH ORANGE.
- 4- Position SWITCH GREEN under case grounding screw – tighten down. Check to make sure wire will not pull free.
- 5- Position SWITCH WHITE on motor spade terminal B.
- 6- Position SWITCH RED on motor spade terminal A.
- 7- Position SWITCH BLACK on motor spade terminal E.
- 8- Position SWITCH ORANGE on motor spade terminal D.
- 9- For 115VAC operation, make sure MOTOR YELLOW is connected to motor terminal 5 and MOTOR BLUE is connected to motor terminal 2

230VAC Operation with Reversing Switch

(See special wiring instructions when using remote control wired 230VAC)

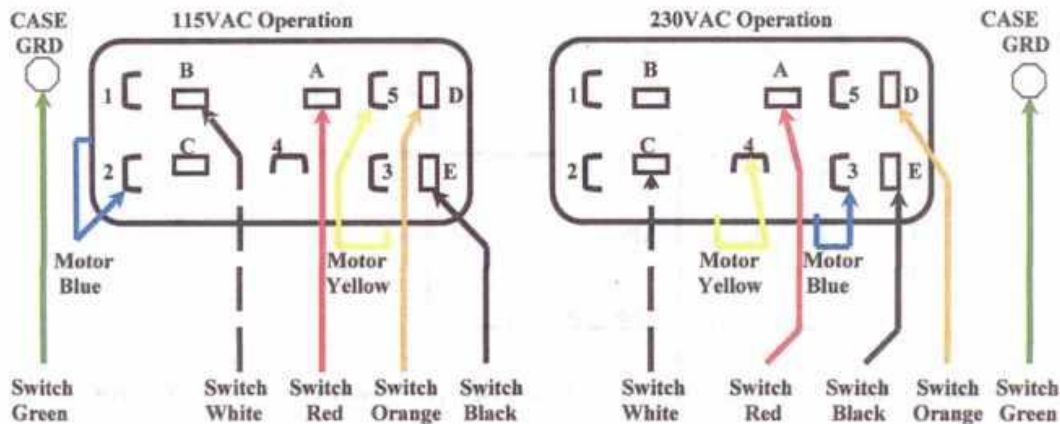
Steps 1 through 4 same as above.

5- Position SWITCH WHITE on motor spade terminal C.

Steps 6 through 8 same as above.

9- For 230VAC operation, make sure that MOTOR YELLOW is connected to motor terminal 4 and MOTOR BLUE is connected to motor terminal 3.

NOTE 1: To reverse motor direction, swap orange and black wires at control.



(See reverse side for 110V Remote Control, 110V/220V manual wiring)

Wiring Procedure for EASTBAY Motor

Wired 220V With Remote Control

- 1- Remove motor connection box cover.
- 2- Cut and strip wires on switch harness. Slightly bend wires on switch harness and position through connector opening.
- 3- Insert and crimp fork or eye type terminal on SWITCH GREEN and female spade type terminals on SWITCH RED, SWITCH BLACK, & SWITCH ORANGE.
- 4- Position SWITCH GREEN under case grounding screw – tighten down. Check to make sure wire will not pull free.
- 5- Isolate SWITCH WHITE with wire nut. DO NOT CONNECT TO MOTOR.
- 6- Position SWITCH RED on motor spade terminal E.
- 7- Position SWITCH BLACK on motor spade terminal C.
- 8- Position SWITCH ORANGE on motor spade terminal A.
- 9- Position MOTOR YELLOW on motor terminal 4.
- 10- Position MOTOR BLUE on motor terminal 3.
- 11- IMPORTANT...Connect motor terminal B to motor terminal D with jumper wire.

NOTE 1: To reverse motor direction, swap orange and black wires at remote.

