

# INSTALLATION INSTRUCTIONS



**1,500 Lb.  
Capacity**

**FIX MARINE SUPPLY  
(866) 998-3625**

Special Notes: Improper installation-assembly, or overloading PWC lift beyond rated capacity will void manufacturer's warranty. Electrical connection MUST be grounded with a GFCI device. Proper line voltage only. No Generators! **Generator use will void motor's warranty!**

***Caution: Failure to adhere to the following instructions will void manufacturer's warranty:***

- 1.) (6) **3/4"** diameter bolts, 3" longer than piling's diameter, **MUST** be used to properly mount the Up-N-Over™ to the piling. (not 5/8", etc. **3/4" only!**)
- 2.) The "Piling-Mount Bracket" **MUST** be mounted to piling **PLUMB**. Failure to do so will result in difficulty to the user when rotating pwc back/forth over the water, and back over the dock. (10"-12" piling req'd.)
- 3.) Do NOT operate Up-N-Over™ until you have thoroughly **GREASED** the (8) grease zerks! Lift will malfunction without ample grease!
- 4.) Electric motor MUST have **FULL POWER** while under full load. Voltage drops resulting in less than 115v/230v will void motor warranty. Have "loaded" voltage verified by licensed electrician. Proper line voltage only. No Generators!  
**Generator use will void motor's warranty!**
- 5.) Instruct users to **REMOVE** locking-pin before attempting to rotate cradle arm.

## Step 1 - Installing PILING-MOUNT bracket

- 1.) Place PILING-MOUNT bracket onto your piling, ensuring the top is 42" above the dock's surface. Now, using heavy nails hang bracket into place using staggered bolt holes. Be sure bracket is 100% PLUMB!

***Remember:*** *Up-N-Over™ rotates 180°, so be sure to choose the correct orientation for this! Refer to photo on cover of this manual.*



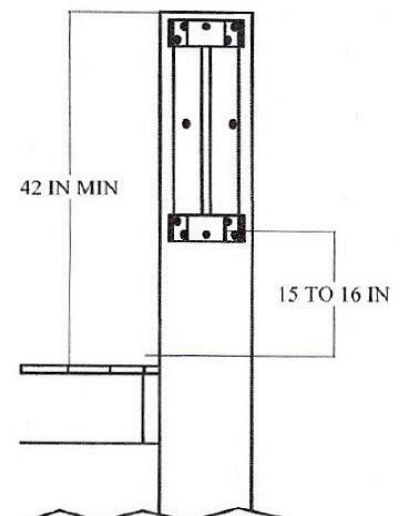
- 2.) Drill (6) holes using your PILING-MOUNT bracket as your template. These will be drilled in a cross-pattern.

***Remember:*** *3/4" diameter bolts only!*



- 3.) Now install the (6) mounting bolts, and tighten down onto 3" x 3" square washers.

***Note:*** *Stainless hardware recommended.*



## Step 2 – MAST installation

1.) Insert heavy-duty aluminum mast into the HEAD ASSEMBLY.

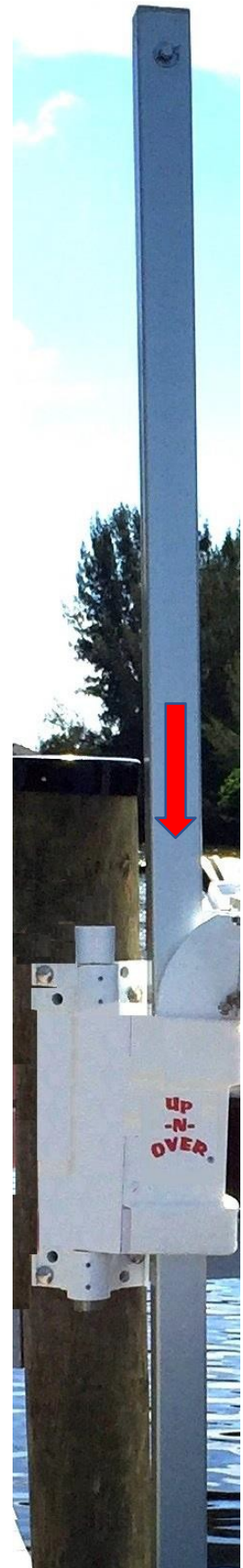
*Note: Be sure to orient the mast correctly in the HEAD ASSEMBLY so that the holes align with mast's cradle arm bolt holes.*

## Step 3 – HEAD ASSEMBLY to PILE MOUNT

- HEAD ASSY SWIVEL PIN



1.) With the mast positioned into the HEAD ASSEMBLY, install the PILE MOUNT in between the swivel-brackets, and lock into place with the HEAD SWIVEL PIN. Be sure not to lose your white nylon bushing:



## Step 4 – CONNECT MAST to CRADLE ARM

- 1.) With CRADLE ARM in position on deck, raise mast up a foot or two, and slide underneath. Finally drop MAST into the CRADLE ARM and fasten with supplied 1/2" stainless bolts (total of 3).



## Step 5 – Attach GEARBOX to HEAD ASSEMBLY

- 1.) Mount CABLE WINDER assembly to the HEAD ASSEMBLY.
- 2.) Connect GEARBOX® shaft to the CABLE WINDER shaft.
- 3.) Attach motor to GEARBOX®, and wind stainless cable as shown:



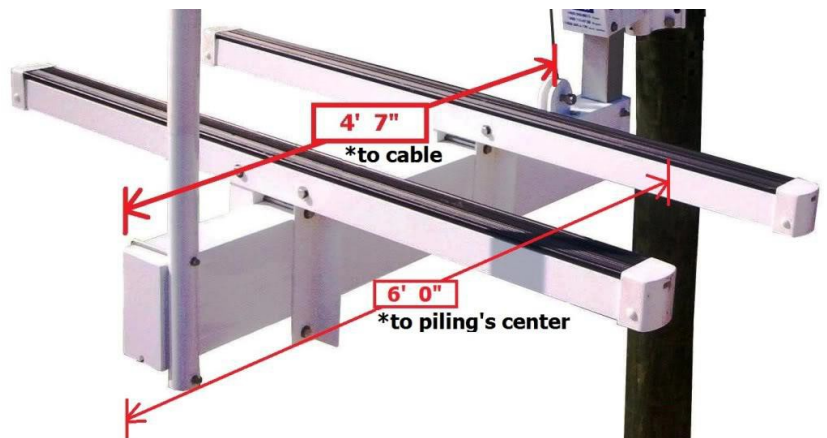
## Step 6 – Connect stainless CABLE to CRADLE ARM

- 1.) With cable wound over the cable-winder drum, as shown in photo on bottom of page 4, connect cable to CRADLE ARM using the supplied  $\frac{3}{4}$ " stainless bolt:



## Step 7 – Aluminum BUNK attachment.

- 1.) Assemble the Aluminum Bunks to their brackets at shown here:
- 2.) Then, mount the Bunks into place on CRADLE ARM.



## Step 8 – Aluminum GUIDE POST attachment.

- 1.) Attach the aluminum GUIDE POST BRACKET to the CRADLE ARM, and secure in place with supplied stainless U-bolt.
- 2.) Be sure NOT to position GUIDE POST under the motor/GEARBOX assembly! Damage to GEARBOX will result when raising PWC.
- 3.) Finally, insert aluminum GUIDE POST into the GUIDE POST BRACKET, and cover with supplied PVC cover & cap.

### *Final Notes:*

- Please remind, and remind again the users to NEVER ride a PWC lift up/down. These are NOT for lifting humans.
- Do not operate lift without applying ample grease to the (8) grease zerks.
- Be completely sure that the motor is receiving a full 115/230v while under load, and not suffering from “voltage drop”. Proper line voltage only. No Generators! **Generator use will void motor’s warranty!**
- Do NOT allow your cable to go slack. Be sure not to “hit bottom” with your CRADLE ARM, and always ensure that your cable is wound properly on the grooved cable-winder.